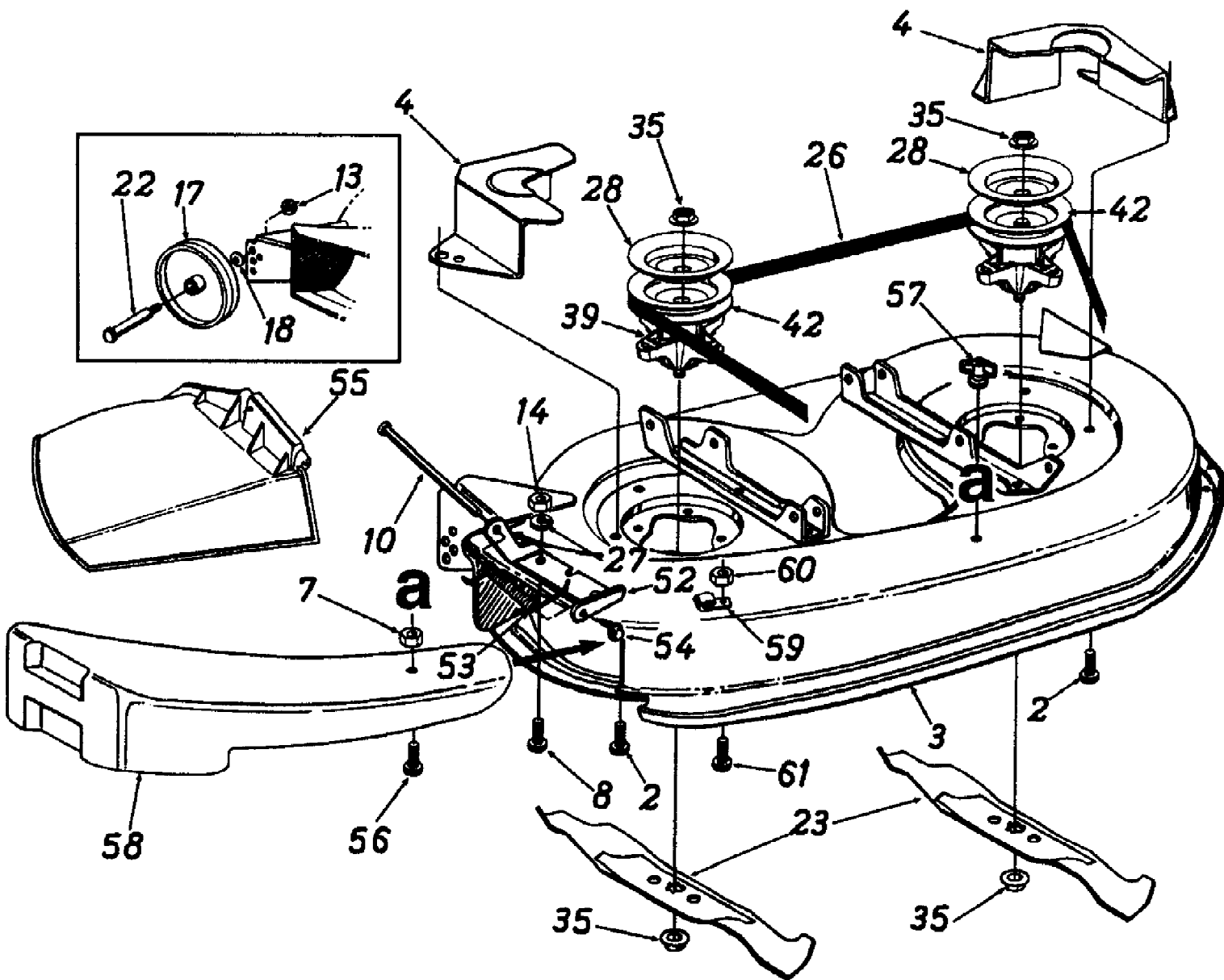


13A5472F190 L-13 (1997)
38" Mowing Deck

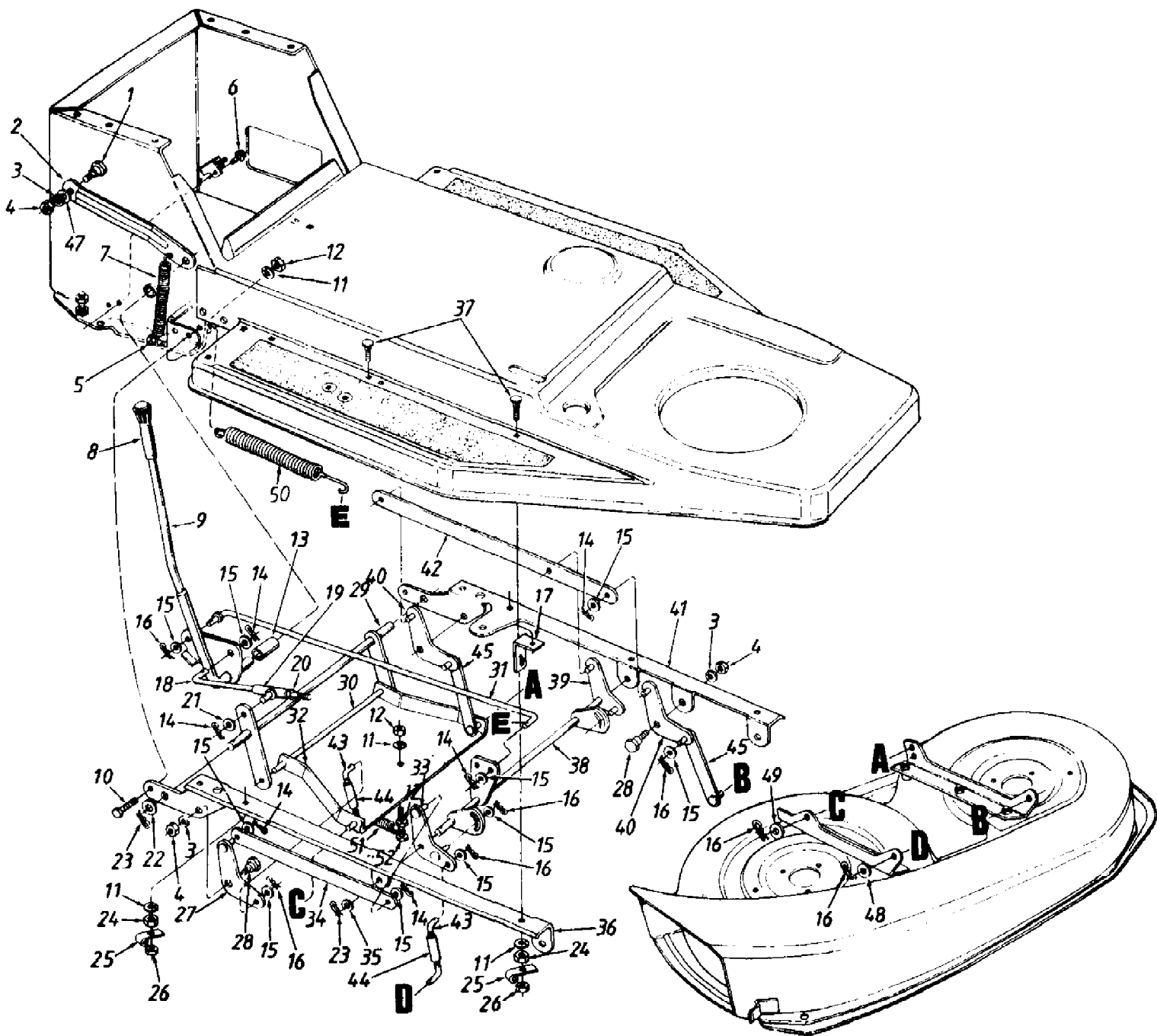


13A5472F190 L-13 (1997)
38" Mowing Deck

Page 2 of 18

Ref #	Part Number	Qty	S/P/F	Description
2	710-1260	1	S	Hex Wash. Hd. TT-Tap Scr. 5/16-18 x .75" Lg.
3	683-0119	1	S	38" Deck Ass'y. Code: N Notates a new part (not previously existing)
	813-0424A	1		38" Deck Ass'y. Comp. (For Service Only) Code: N Notates a new part (not previously existing)
4	783-0343	1	S	Belt Guard Deck
7	712-0291	1	S	Hex L-Nut 1/4-20 Thd. Optional Equipment
8	710-0258	1	S	Hex Bolt 1/4-20 x .62"
10	711-0792	1	S	Hinge Pin
13	712-0181	1	S	Hex Top L-Nut 3/8-16 Thd.
14	712-3006	1	/P	Hex Nut 1/4-20 Thd. (Gr. 5)
17	734-0973	1	/P	Deck Wheel - 5"
18	736-0105	1	/P	Bell-Wash. .40" I.D. x .88" O.D.
22	738-0373	1	S	Shld. Bolt .498" Dia. x 1.53"
23	742-0610	1	S	3 in 1 Blade
26	754-0329A	1	S	V-Belt
27	736-0270	1	/P	Bell-Wash. 1/4" I.D.
28	783-0342	1	S	Brake Disc
35	712-0417A	1	/P/F	Hex Flange Nut 5/8-18 Thd.
39	618-0138	1	S	Blade Spindle Ass'y. Comp. (Incl. Ref. 28, 35, 42)
42	756-0969	1	F	5" Dia. Pulley
52	703-1693	1	S	Hinge Mtg. Brkt.
53	732-0602	1	S	Torsion Spring
54	726-0106	1	S	Push Nut
55	731-1032	1	S	Chute Ass'y. Comp. (Incl. Ref. 10, 52, 53, 54, 55)
56	710-0597	1	/P	Hex Bolt 1/4-20 x 1" Lg. Optional Equipment
57	712-3087	1	/P	Wing Nut 1/4-20 Thd.
58	731-1643	1	S	Mulching Plug Optional Equipment
59	16606	1	S	Retainer Hook Brkt.
60	712-0271	1	/P	Hex Sems Nut 1/4-20 Thd.
61	710-0258	1	S	Hex Bolt 1/4-20 x .62" Lg.

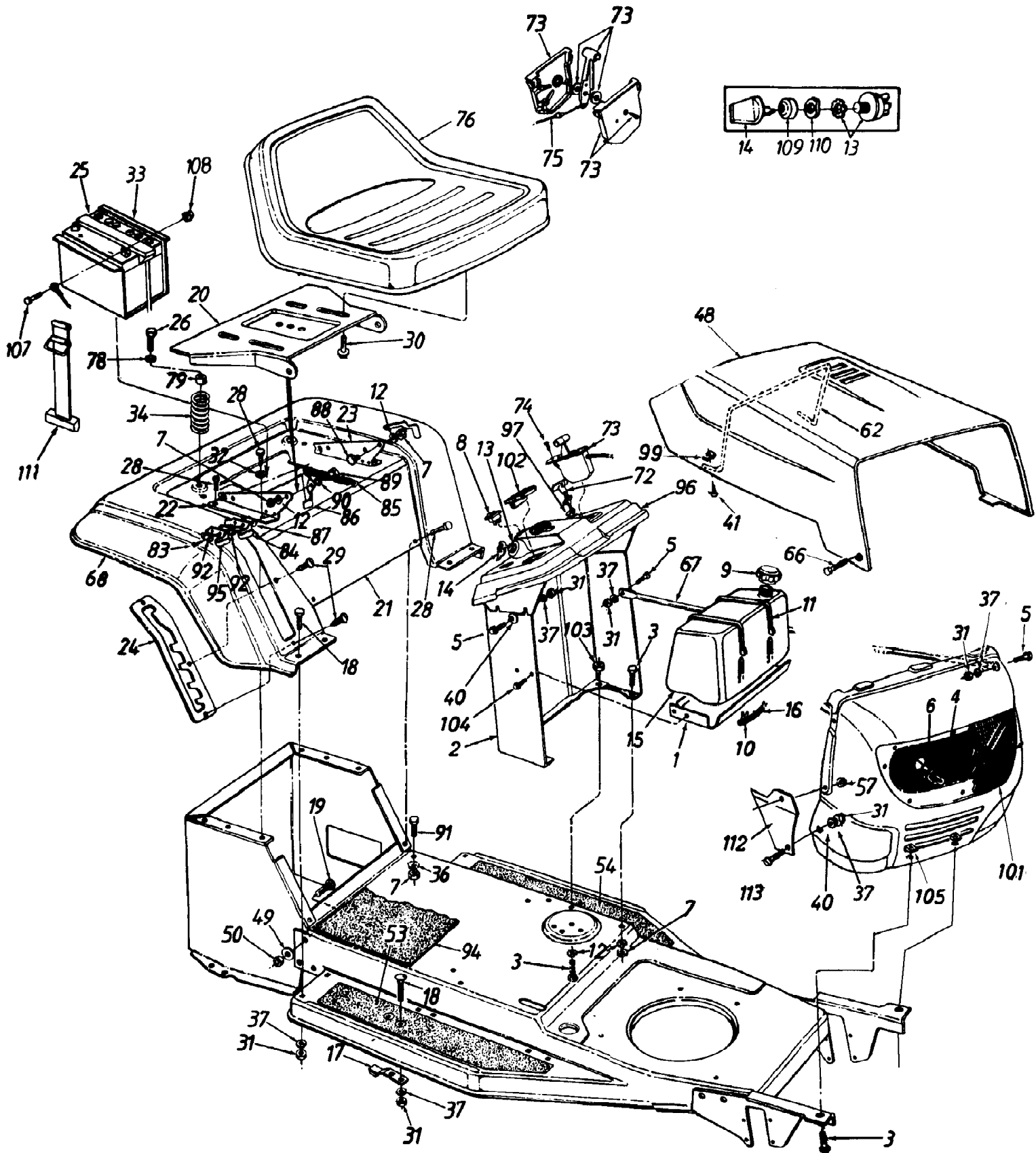
13A5472F190 L-13 (1997)
Deck Lift Handle Assembly



13A5472F190 L-13 (1997)
Deck Lift Handle Assembly

Page 4 of 18

Ref #	Part Number	Qty	S/P/F	Description
1	738-0143	1	/P	Shld. Bolt .5" Dia. x .34" Lg.
2	17580	1	S	Lift Handle Support Strap
3	736-0169	1	S/F	L-Wash. 3/8" I.D.
4	712-0798	1	/P/F	Hex Nut 3/8-16 Thd.
5	710-0428	1		Hex Bolt 1/4-28 x 1.25" Lg.
6	710-0351	1	/P	Hex TT-Tap Scr. 1/4-20 x .5" Lg.
7	732-0640	1		Ext. Spring
8	631-0026	1	S	Grip
9	17591A	1	/P	Deck Lift Handle Ass'y.
10	710-0604	1	S	Hex Wash. TT-Tap Scr. 5/16-18 x .62" Lg.
11	736-0119	1	S/F	L-Wash. 5/16" I.D.
12	712-0267	1	S/F	Hex Nut 5/16-18 Thd.
13	750-0379	1		Spacer 5/8" I.D. x .78"
14	714-0507	1	S	Cot-Pin 3/32" Dia. x .75" Lg.
15	736-0185	1	S	FI-Wash. .406" I.D. x .75" O.D.
16	714-0104	1	S	Internal Cot-Pin 5/16" Dia.
17	17597	1	S	Brake Rod Guide Ass'y.
18	747-0746	1		Deck Engagement Rod
19	16682	1		Pivot Sleeve Ass'y.
20	712-0130	1	/P	Hex L-Nut 3/8-16 Thd.
21	736-0314	1	S	Thrust Washer .382" I.D.
22	736-0116	1	S	FI-Wash. .635" I.D. x .93" O.D.
23	714-0470	1	S	Cot-Pin 1/8 Dia. x 1.25" Lg.
24	712-0123	1	/P	Hex Nut 5/16-24 Thd.
25	726-0272	1	/P	Harness Retainer
26	712-0237	1	S	Hex Cent. L-Nut 5/16-24 Thd.
27	17555	1	S	Deck Pivot Brkt. Ass'y.- R.H. Rear
28	738-0281	1	S	Shld. Bolt .625" Dia. x .170" Lg.
29	17574	1	S	Deck Link Shaft Ass'y.
30	738-0667	1		Shaft 11.2" Lg.
31	747-0745	1		Deck Lift Rod
32	17573A	1	S	Deck Stabilizer Brkt.
33	17554	1	S	Deck Pivot Brkt. Ass'y.- R.H. Front
34	17563	1	S	Connecting Link - R.H.
35	736-0336	1	S	FI-Wash. 5/8" I.D. x 1.0" O.D.
36	17582	1	S	Pivot Support Brkt.- R.H.
37	710-1012	1	/P	Rib Neck Bolt 5/16-24 x .84" Lg.
38	17568	1	S	Cross Shaft Ass'y.
39	17557	1	S	Deck Pivot Brkt. Ass'y.- L.H.
40	17556	1	S	Deck Pivot Brkt. Ass'y.- L.H.
41	17581	1	S	Pivot Support Brkt.- L.H.
42	17562	1	S	Connecting Link - L.H.
43	747-0584	1	S	Lift Link 3/8-24 x 1.25" Lg.
44	97709	1	/P	Adj. Lift Link Ass'y.
45	97598	1		Deck Lift Link Ass'y.
47	736-0192	1	S	FI-Wash. .531" I.D. x .94"
48	736-0185	1	S	FI-Wash. .406" I.D. x .75"
49	736-0101	1	S	FI-Wash. 3/8" I.D.
50	732-0638	1		Ext. Spring .87" Dia.
51	732-0603	1		Ext. Spring 11" Lg.
52	710-3038	1	/P	Hex Bolt 5/16-18 x 7/8" Lg.



13A5472F190 L-13 (1997)
Deck, Grills And Seat Ass'y

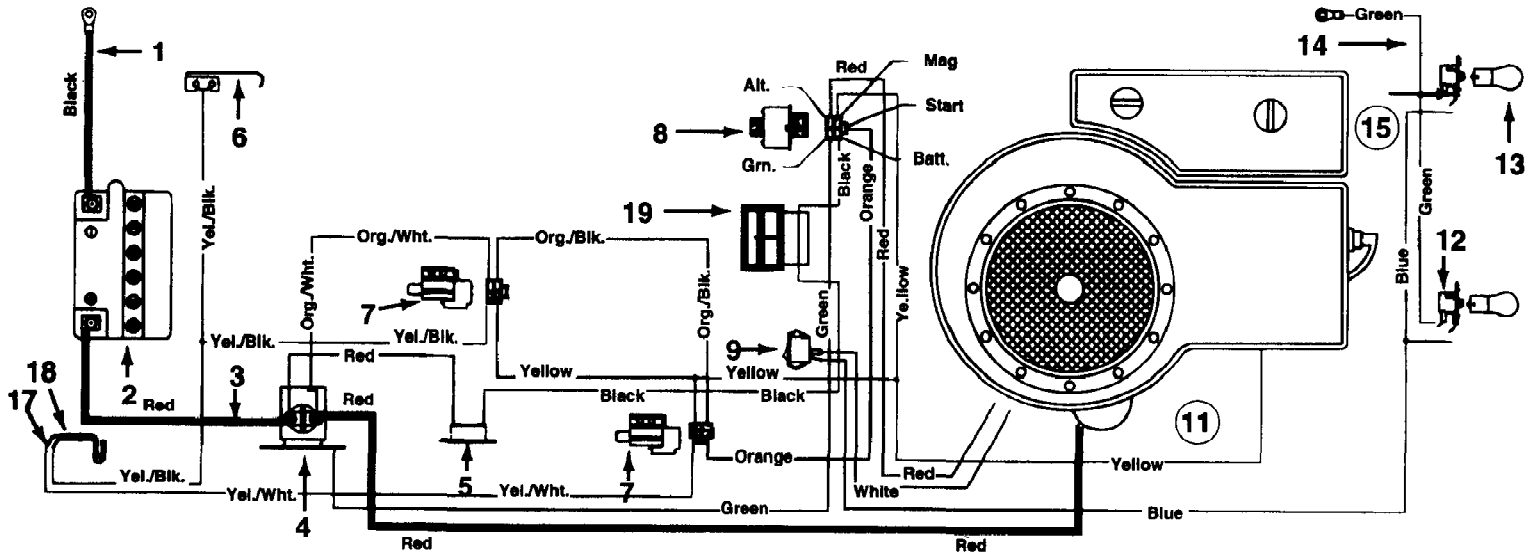
Page 6 of 18

Ref #	Part Number	Qty	S/P/F	Description
1	17932	1	S	Gas Tank Support Brkt.
2	17933A	1	/P	Pedestal
3	710-0118	1	S	Hex Bolt 5/16-18 x .75" Lg.
4	725-0963	1	S	Bulb
5	710-0258	1	S	Hex Bolt 1/4 x .62" Lg.
6	725-1651	1	S	Socket
7	712-0267	1	S	Hex Nut 5/16-18 Thd.
8	725-0634	1	S	Light Switch
9	751-0603	1	S	Gas Cap
10	726-0205	1	/P	Hose Clamp
11	726-0209	1	/P	Cable Tie
12	736-0119	1	S	L-Wash. 5/16" I.D.
13	725-0267	1	S	Ignition Switch
14	725-1341B	1	/P	Ignition Key
15	751-0553	1	S	Fuel Tank
16	751-0535-15	1	S	Gas Line 15" Long
17	761-0194	1	S	Blade Brake Ass'y.
18	710-0134	1	/P	Carriage Bolt 1/4-20 x .62"
19	710-0793	1		Ribbed Neck Bolt 3/8-24 x .8"
20	783-0039A	1	/P	Seat Pivot Brkt.
21	783-0354-0648	1		Rear Fender
22	17704	1		Seat Hinge Support Brkt.- R.H.
23	17703	1		Seat Hinge Support Brkt.- L.H.
24	17553	1		Deck Lift Index Brkt.
25	725-1705D	1	S	Battery
26	710-0817	1		Hex Self-Tap Screw 5/6-18 x 1.25" Lg.
27	710-0255	1	S	Truss Mach. Scr. 1/4-20 x .75" Lg.
28	710-0726	1	/P	Hex AB-Tap Scr. 5/16 x .75" Lg.
29	710-1017	1	/P	Torx Mach. AB-Tap Scr. 1/4 x .62" Lg.
30	710-0870	1	/P	Hex Self-Tap Scr. 3/8-16 x .62" Lg. (Gr. 5)
31	712-3006	1	/P	Hex Nut 1/4-20 Thd.
32	736-0607	1	/P	External L-Wash. 5/16" I.D.
33	783-0349-0637	1		Battery Tray
34	732-0588	1		Compression Spring
36	736-0242	1	/P	Bell-Wash. 5/16" I.D.
37	736-0329	1	S	L-Wash. 1/4" I.D.
40	736-0270	1	/P	Bell-Wash. .265" I.D. x .75"
41	710-0589	1	/P	Pan Hd. Scr. 10-24 x .75" Lg.
42	736-0400	1	S	FI-Wash. .218" I.D. x .62"
48	783-0250-0662	1	S	Hood
49	736-0217	1	S	L-Wash. 3/8" I.D.- H.D.
50	712-0241	1	/P	Hex L-Nut 3/8-24 Thd.
52	710-0473	1	/P	Truss Mach. Scr. #10-24 x .5" Lg.
53	735-0252	1		Foot Pad - R.H.
54	735-0253	1		Foot Pad - L.H.
57	712-3027	1	S	Lock Nut 1/4-20 Thd.
59	723-0302	1		Hood Stop
62	732-0704	1		Hood Spring
64	712-0272	1	/P	Hex Sems Nut #10-24 Thd.
65	736-0413	1	/P	Spr. Wash. .39" I.D. x .62" O.D.
66	738-0952	1	S	Shld. Bolt
67	749-0722B	1	S	Grille Support
68	731-0511-81	1		Trim Strip 81" Lg.

13A5472F190 L-13 (1997)
Deck, Grills And Seat Ass'y

Page 7 of 18

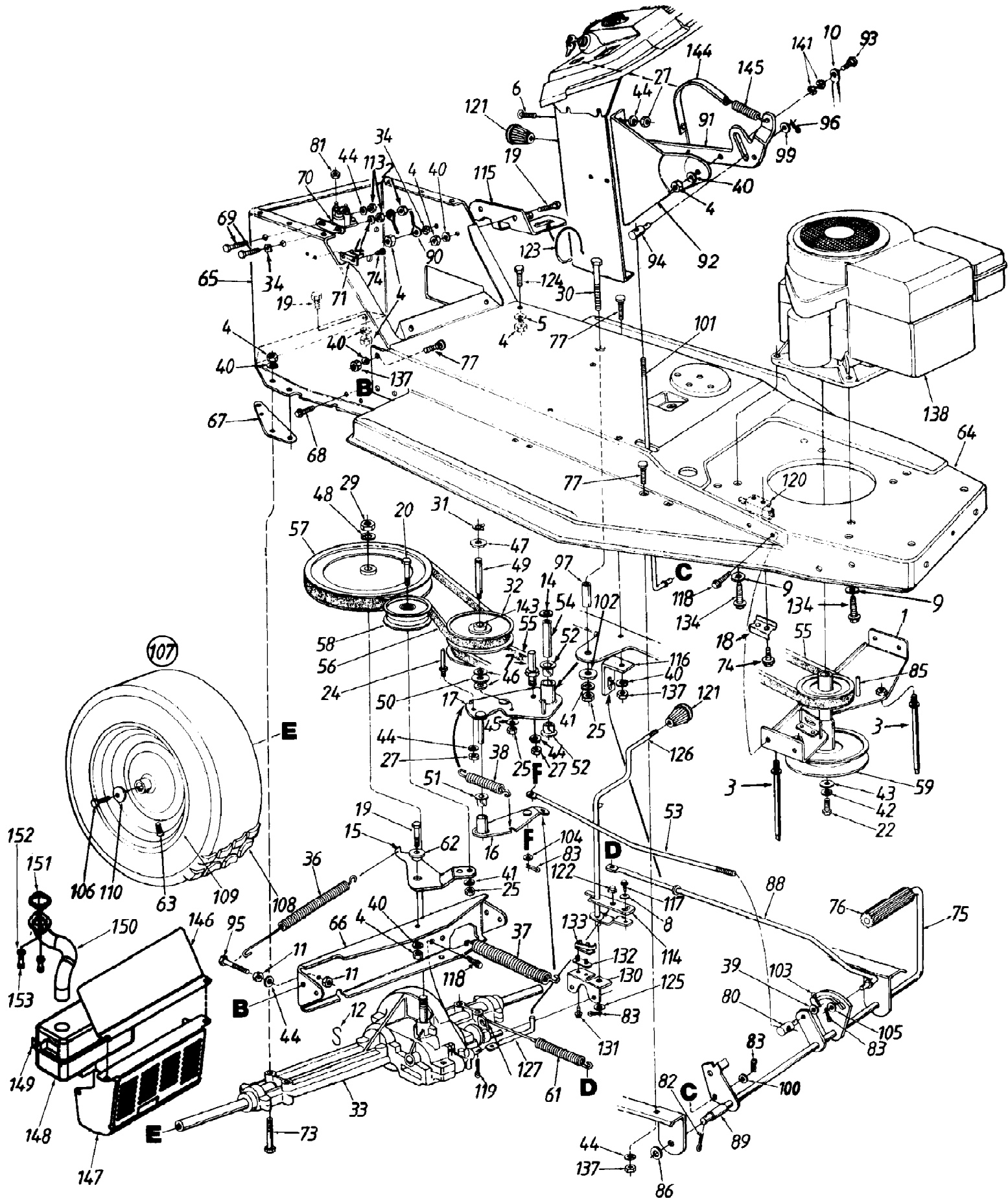
Ref #	Part Number	Qty	S/P/F	Description
72	746-0616A	1	S	Choke Control
73	831-0823A	1	/P	Throttle Control Box
74	710-0779A	1	/P	Truss AB-Tap Scr. #10 x .5"
75	746-0638	1	S	Throttle Wire
76	757-0371	1	S	Seat Assembly
78	736-0159	1	S	FI-Wash. .344" I.D. x .88" O.D.
79	722-0160	1		Bushing
83	710-0227	1	/P	Hex Tap Scr. 08 x .5" Lg.
84	725-1439	1		Safety Switch (Inner)
85	732-0581B	1	S	Ext. Spring 5.31" Lg.
86	17239A	1	S	Seat Lift Brkt.
87	726-0278	1		Insulator Boss Plate
88	738-0155	1	S	Shld. Bolt .437" Dia. x .162" Lg.
89	738-0296	1	S	Shld. Bolt .437" Dia. x .268" Lg.
90	736-0141	1	S	Spr. Wash. .445" I.D. x .75" O.D.
91	710-0604	1	S	Hex Wash. Hd. Scr. 5/16-18 x .62" Lg.
92	726-0279	1		Insulator Plate
94	735-0254	1		Center Foot Pad
95	725-1303	1	S	Safety Switch (Outer)
96	731-1675	1	S	Dash Panel
97	17782	1		Retainer Clip
98	710-0351	1	/P	Truss Mach. B-Tap Scr. #10 x .5" Lg.
99	726-0130	1	S	Speed Nut
100	714-0104	1	S	Internal Cotter Pin 5/16" Dia.
101	783-0156A	1		Grille
101	731-1503A	1	S	Lens
101	726-04077	1		Nut, Push 3/32 Not shown
102	725-0925	1	S	Ammeter
103	712-3007	1	/P	Hex Jam Nut 5/16-18 Thd.
104	710-0599	1	/P	Hex Wash. Hd. Tap Scr. 1/4-20 x .5" Lg.
105	726-0211	1	S	U-Nut 5/16-18 Thd.
106	736-0222	1	S	Ext. L-Wash. 1/4" I.D.
107	710-3015	1	/P	Hex Bolt 1/4-20 x .75" Lg.
108	712-0271	1	/P	Hex Sems Nut 1/4-20 Thd.
109	725-1347	1	/P	Ignition Cap
110	725-1346	1	S	Ignition Nut 5/8-32 Thd.
111	723-0444	1		Battery Strap
112	783-0366-0662	1		Side Panel - R.H.
112	783-0367-0662	1		Side Panel - L.H. Not shown
113	710-0924	1	/P	Pan Hd. Mach. Scr. 1/4-20 x .5" Lg.



13A5472F190 L-13 (1997)
Electrical System

Page 9 of 18

Ref #	Part Number	Qty	S/P/F	Description
1	629-0702	1		Ground Wire Code: N Notates a new part (not previously existing)
2	725-1705B	1		Battery Code: N Notates a new part (not previously existing)
3	629-0705	1	/P	Electric Wire - 14.0" Lg. Code: N Notates a new part (not previously existing)
4	725-1426	1	S	Solenoid
5	725-0459	1	S	Circuit Breaker
6	725-1644	1		Spring Switch (Reverse)
7	725-1657A	1	S	Safety Switch
8	725-0267	1	S	Ignition Switch
9	725-0634	1	S	Light Switch
11	629-0195	1	S	Harness w/Amp & Light Switch
12	725-1649	1	S	Socket (Sq. Headlights)
13	725-0963	1	S	Bulb (Sq. Headlights)
14	725-0916A	1	/P	Ground Wire
15	629-0086	1		Headlight Harness w/Amp & Light Switch
17	725-1303	1	S	Safety Switch (Outer)
18	725-1439	1		Safety Switch (Inner)
19	725-0925	1	S	Ammeter



13A5472F190 L-13 (1997)

Page 11 of 18

Rear Wheel Ass'y, Grille, Transaxle Ass'y

Ref #	Part Number	Qty	S/P/F	Description
1	783-0265A	1	S	Engine Pulley Belt Guard Ass'y.
2	712-0291	1	S	Hex L-Nut 1/4-20 Thd.
3	711-1044	1	S	Belt Guard Pin 5/16-18 x 4.75" Lg.
4	712-0267	1	S	Hex Nut 5/16-18 Thd.
5	736-0242	1	/P	Bell-Wash. .345" I.D. x .88
6	710-0286	1	/P	Truss-Mach. Scr. 1/4-20 x .50"
7	711-1000	1	S	Belt Guard Pin 1/4-20 Thd.
8	736-0270	1	/P	Bell-Wash. .265" I.D. x .75
9	736-3072	1	/P	FI-Wash. 3/8" I.D. x .97" O.D.
10	749-0836A	1		Speed Selector Brace
11	712-0138	1	S	Hex Nut 1/4-28 Thd.
12	732-0722	1	S	Spring Anchor
14	736-0235	1		FI-Wash. 3/8" I.D. x 1.26" O.D.
15	17694	1	S	Idler Bracket
16	16554A	1	S	Var. Speed Torque Brkt. Ass'y.
17	16676B	1	S	Variable Speed Brkt. Ass'y.
18	17962	1		Switch Plate
19	710-3008	1	/P	Hex Bolt 5/16-18 x .75" Lg.
20	710-0151	1	/P	Hex Bolt 3/8-24 x 2.0" Lg. Gr. 5
22	710-0757	1	/P	Hex Bolt 7/16-20 x 1.5" Lg.
24	711-0768	1	S	Belt Guard Pin
25	712-0241	1	/P	Hex Nut 3/8-24 Thd.
27	712-0287	1	S	Hex Nut 1/4-20 Thd.
29	712-3035	1	/P	Hex Jam Nut 9/16-18 Thd.
30	710-0902	1		Hex Bolt 3/8-24 x 3.75" Lg.
31	716-0114	1	S	Snap Ring
32	717-0800A	1	S	Variable Speed Pulley Ass'y.
33	618-0166A	1	S	Transaxle Ass'y. Comp.
34	736-0607	1	/P	Ext. L-Wash. 5/16" I.D.
36	732-0384	1	S	Extension Spring 6.12" Lg.
37	732-0459	1	S	Extension Spring 6.74" Lg.
38	732-0568	1	S	Extension Spring 2.59" Lg.
39	736-0117	1	S	FI-Wash. .385" I.D. x .620"
40	736-0119	1	S	L-Wash. 5/16" I.D.
41	736-0169	1	S	L-Wash. 3/8" I.D.
42	736-0171	1	S	L-Wash. 7/16" I.D.
43	736-0322	1	/P	FI-Wash. .450" I.D. x 1.25"
44	736-0329	1	S	L-Wash. 1/4" I.D.
45	736-0331	1	/P	Bell-Wash. .39" I.D. x 1.13"
46	736-0355	1	/P	FI-Wash. .56" I.D. x 1.0" O.D.
47	736-0414	1	S	Washer "Teflon" .565 I.D.
48	736-0427	1	S	Bell-Wash. 9/16" I.D. x 1.125" O.D.
49	738-0569	1	S	Shaft .56" Dia. x 3.875" Lg.
50	741-0405	1	S	Thrust Brg. 1.25 O.D.
51	741-0419	1		Flanged Nyliner Brg.
52	741-0495	1	/P	Nyliner Flanged Brg.
53	747-0599B	1	/P	Speed Control Rod
54	750-0703	1		Spacer
55	754-0280	1	S	V-Belt
56	754-0281	1	S	V-Belt
57	656-0003	1		V-Pulley 8" Dia.
58	756-0643	1	S	Idler Pulley 3-1/8" Dia.
59	756-0551	1	S	Dbl. Pulley 6.0" Dia. x 3.56"

13A5472F190 L-13 (1997)

Page 12 of 18

Rear Wheel Ass'y, Grille, Transaxle Ass'y

Ref #	Part Number	Qty	S/P/F	Description
61	732-0413	1	S	Extension Spring 7.08" Lg.
62	748-0234	1	/P	Shld. Spacer .500" Dia.
63	734-0255	1	S	Air Valve
64	17588C	1		Front Frame
65	783-0180A	1	/P	Rear Frame
66	16654A-0637	1	/P	Transaxle Support Brkt.
67	16659	1	S	Transaxle Brkt. Reinforcement
68	710-0726	1	/P	Hex Wash. AB-Tap Scr. 5/16 x .75"
69	710-0751	1	/P	Hex Bolt 1/4-20 x .62" Lg.
70	725-1426	1	S	Solenoid
71	725-0459	1	S	Circuit Breaker
72	736-0222	1	S	External L-Wash. 1/4" I.D.
73	710-0176	1	/P	Hex Bolt 5/16-18 x 2.75" Lg.
74	710-0351	1	/P	Truss Mach. B-Tap Scr. #10 x .50"
75	17644A	1	S	Foot Pedal Rod Ass'y.
76	735-0239	1	/P	Foot Pad
77	710-1012	1	/P	Ribbed Neck Bolt 5/16-24 x .84"
80	711-0198	1	S	Ferrule
81	712-0271	1	/P	Hex Sems Nut 1/4-20 Thd.
82	714-0470	1	S	Cot-Pin 1/8" Dia. x 1.25" Lg.
83	714-0507	1	S	Cot-Pin 3/32" Dia. x .75" Lg.
85	714-0114	1	S	Sq. Key 1/4 x 2.0" Lg.
86	736-0256	1	S	FI-Wash. .635" I.D. x 1.0"
88	747-0593	1		Brake Rod
89	750-0800	1		Spacer 5/8" I.D. x 1.2" Lg.
90	629-0702	1		Ground Wire 7.25" Lg.
91	17457B	1	/P	Speed Selector Lever
92	16694B	1		7 Speed Selector Brkt.
93	738-0138	1	S	Shld. Bolt .437" Dia. x .47" Lg.
94	711-0677	1	S	Ferrule
95	710-0428	1		Hex Bolt 1/4-28 x 1.25" Lg.
96	714-0104	1	S	Intern. Cot-Pin 5/16" Dia.
97	750-0703	1		Spacer .375" I.D. x .625"
99	736-0264	1	S	FI-Wash. .344" I.D. x .62"
100	736-0463	1	S	FI-Wash. .25" I.D. x .62" O.D.
101	747-0675A	1	/P	Speed Control Rod
102	736-0133	1	S	FI-Wash. 3/8" I.D. x 1.25" O.D.
103	714-0115	1	S	Cot-Pin 1/8" Dia. x 1.0" Lg.
104	736-0275	1	S	FI-Wash. .34" I.D. x .68"
105	736-0278	1		FI-Wash. .34" I.D.
106	710-0627	1	/P	Hex L-Bolt 5/16-24 x .75" Lg.
107	734-0817	1	/P	Rear Wheel Ass'y. Comp.
108	734-0448	1	/P	Tire Only
109	634-0070	1	/P	Rear Wheel Rim Ass'y. Only
110	736-0242	1	/P	Bell-Wash. .345" I.D. x .88"
113	712-0298	1	S	Hex Jam Nut 1/4-20 Thd.
114	17178A	1	/P	Shift Lever Adjusting Link
115	17839	1	S	Shift Lever Spring Brkt.
116	17597	1	S	Brake Rod Guide Brkt.
117	710-3013	1	/P	Hex Bolt 1/4-20 x .50 Lg.
118	710-0599	1	/P	Hex Wash. Hd. Tap Scr. 1/4-20 x .5"
119	714-0149B	1	S	Intern. Cotter Pin
120	725-1657A	1	S	Safety Switch (Clutch)

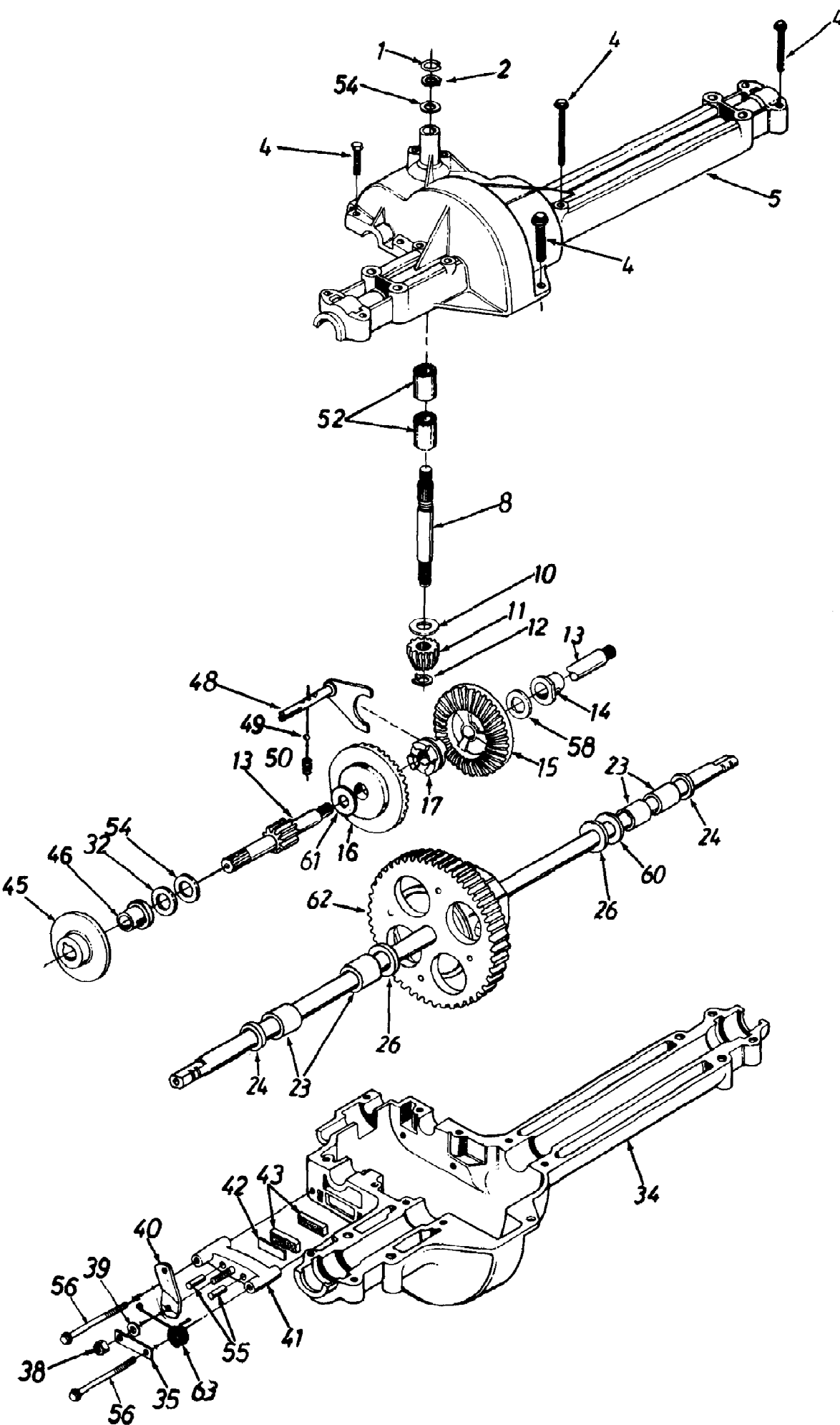
13A5472F190 L-13 (1997)

Page 13 of 18

Rear Wheel Ass'y, Grille, Transaxle Ass'y

Ref #	Part Number	Qty	S/P/F	Description
121	720-0232	1	S	Knob
122	726-0231	1	S	Retaining Ring
123	732-0525	1		Compression Spring 1.5" Lg.
124	710-0650	1	/P	Hex Wash. Hd. Scr. 5/16-18 x 7/8"
125	736-0226	1	S	Fl-Wash. .469" I.D. x .88"
126	747-0694A	1	/P	Shift Rod Ass'y.
127	747-0685	1	S	Shift Rod
130	17179	1		Shift Lever Support
131	710-0227	1	/P	Hex Wash. Hd. #8 x .50" Lg.
132	726-0222	1	S	Insulator Nut Plate
133	725-1644	1		Spring Switch
134	710-0502A	1	/P	Hex Tap Scr. 3/8-16 x 1.25"
135	710-0672	1	/P	Hex Bolt 5/16-24 x 1 1/4" Lg. Gr. 5
137	712-0123	1	/P	Hex Nut 5/16-24 Thd.
138		1		Engine
141	736-0141	1	S	Wave Wash. .445" I.D.
143	741-0404	1	S	2 Req'd. Needle Brg.
144	777-9586A	1	S	7-Speed Indicator Strip
	747-0816	1		Speed Indicator Hook
145	732-0691	1	S	Ext. Spring 2.04" Lg. (Style 0, 1)
146	751-0642	1		Heat Shield
147	751-0631	1	S	Heat Shield
148	751-0627	1		Muffler
149	710-0604	1	S	Screw, TT 5/16-18 x .62
150	751-0628	1	S	Pipe
151	721-0208	1	S	Exhaust Gasket
152	736-0119	1	S	Washer, Lock 5/36
153	710-1314	1	S	Screw, Socket HD Cap 5/16-18 x .82

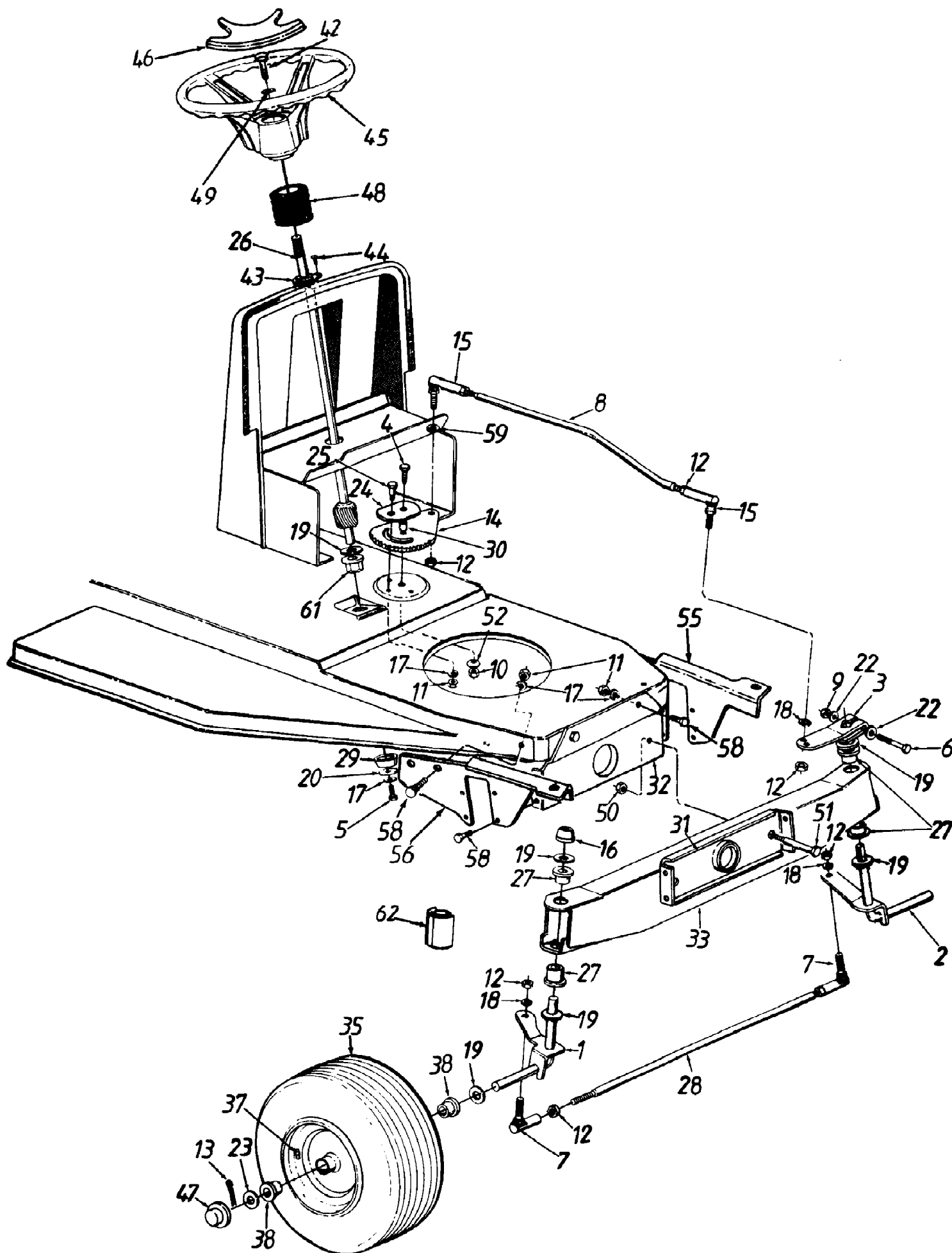
13A5472F190 L-13 (1997)
Single Speed Transaxle Left Hand 618-0166A



13A5472F190 L-13 (1997)
Single Speed Transaxle Left Hand 618-0166A

Page 15 of 18

Ref #	Part Number	Qty	S/P/F	Description
	618-0166A	1	S	Single Speed Transaxle Left Hand
1	732-0614	1		Wire Ring
2	716-0231	1	S	Retaining - Ring
4	710-1325	1	/P	Scritt 1/4-20 x 1.625
5	719-0358	1	S	Upper Housing
8	711-0861	1		Input Shaft
10	736-0335	1	S	Thrust Washer 5/8" I.D. x 1.25" O.D.
11	717-0633	1	S	Pinion Input 14T
12	716-0171	1	S	Retaining Ring
13	711-1016	1	S	Drive Shaft - L.H. Brake
14	741-0336	1	S/F	Flange Brg. 5/8" I.D. x 3/4" Lg.
15	717-1362	1	S	Bevel Gear 42T Small I.D.
16	717-1363	1	S	Bevel Gear 42T Large I.D.
17	718-0228	1		Clutch Collar
23	741-0340	1	S	Sleeve Bearing 3/4" I.D. x 1.0" Lg.
24	721-0338	1	S	Oil Seal 3/4" I.D.
26	736-0445	1	S	FI-Wash. .760" I.D. x 1.5" O.D.
32	736-0495	1	S	Thrust Wash. 5/8" I.D. x 1" O.D. x .025" Thk.
	736-0336	1	S	FI-Wash. 5/8" I.D. x 1" O.D. x .030" Thk.
	736-0494	1		Thrust Wash. 5/8" I.D. x 1" O.D. x .035" Thk.
	736-0337	1	S	FI-Wash. 5/8" I.D. x 1" O.D. x .040" Thk.
34	719-0313B	1	/P	Lower Housing
35	718-0150	1		Anti-Rotation Brkt.
38	712-0273	1	S	Hex Nut 5/16-24 Thd.
39	736-0371	1	/P	FI-Wash. .344" I.D. x .875" O.D.
40	717-0772A	1	S	Actuating Arm
41	761-0198	1	S	Brake Yoke
42	717-0682	1	S	Puck Plate
43	717-0678	1	S	Brake Puck
45	761-0202	1		Brake Disc
46	741-0337	1	S	Flange Bearing 5/8" I.D. x 15/16" Lg.
48	611-0011	1	S	Shift Fork Ass'y.
49	741-0862	1	/P	Ball Detent .250" Dia.
50	732-0863	1	S	Spring Detent
52	741-0335	1	S	Needle Brg. 5/8" I.D. x 1/2" Lg.
54	736-0349	1	S	FI-Wash. 5/8" I.D. x 1" O.D. x .020 Thk.
55	741-0343	1	S	Actuating Pin 5/16" Dia.
56	710-1206	1	/P	Hex Wash Hd. Self-Tap Scr. 1/4-20 Thd.
58	736-0349	1	S	FI-Wash. 5/8" I.D. x 1" O.D. x .020 Thk.
	736-0495	1	S	Thrust Wash. 5/8" I.D. x 1" O.D. x .025" Thk.
60	736-0492	1	S	FI-Wash. .76" I.D. x 1.5" O.D. x .010" Thk.
	736-0493	1	S	FI-Wash. .76" I.D. x 1.5" O.D. x .020" Thk.
	736-0351	1	S	FI-Wash. .76" I.D. x 1.5" O.D. x .030" Thk.
	736-0445	1	S	FI-Wash. .76" I.D. x 1.5" O.D. x .060" Thk.
	737-0148	1	S	Grease - Shell (15 oz.)
61	736-0519	1	S	Thrust Washer
62	618-0233	1	S	Differential Ass'y.
63	732-0743	1	S	L.H. Brake Spring Code: N Notates a new part (not previously existing)



13A5472F190 L-13 (1997)
Steering, Wheel Ass'y And Labels

Page 17 of 18

Ref #	Part Number	Qty	S/P/F	Description
1	97584A	1	/P	Front Axle Ass'y. - R.H.
2	97585A	1	/P	Front Axle Ass'y. - L.H.
3	683-0055	1	S	Steering Arm
4	710-0152	1	S/F	Hex Bolt 3/8-24 x 1" Lg.
5	710-0538	1	/P	Hex Bolt 5/16-18 x .62" (Spec.)
6	710-0772	1	/P/F	Hex Bolt 5/16-24 x 2" Lg.
7	723-3018	1	S	Ball Joint 3/8-24 Thd.
8	711-1117A	1		Steering Drag Link Code: N Notates a new part (not previously existing)
9	712-0237	1	S	Hex L-Nut 5/16-24 Thd.
10	712-0241	1	/P	Hex Nut 3/8-24 Thd.
11	712-3010	1	S	Hex Nut 5/16-18 Thd. (Gr. 5)
12	712-0262	1	/P	Hex Jam Nut, 3/8-24 Thd.
13	714-0470	1	S	Cotter Pin 1/8 Dia.
14	717-0622A	1	S	Steering Gear Segment
15	723-0448	1	S	Drag Link Ball Joint 3/8-24 Thd.
16	726-0214	1	/P	Push Cap
17	736-0119	1	S/F	L-Wash. 5/16" I.D.
18	736-0169	1	S/F	L-Wash. 3/8" I.D.
19	736-0187	1	/P	FI-Wash. .64" I.D. x 1.24"
20	736-0343	1	/P	FI-Wash. .340" I.D. x 1.125"
22	736-0271	1	S	Spr. Wash. .32" I.D. x .62"
23	736-0285	1	/P	FI-Wash. .635" I.D. x 1.585"
24	17198A	1	S	Retainer Plate
25	738-0141	1	S	Shld. Bolt .437" Dia. x .350"
26	738-0937	1		Steering Shaft
27	741-0659	1	S	Hex Flange Brg. .632" I.D.
28	747-0753	1		Tie Rod
29	750-0532	1	S	Spacer .985" I.D.
30	750-0535	1	S	Spacer .380" I.D.
31	17548	1		Front Pivot Bar Support Brkt.
32	17547	1	S	Rear Pivot Bar Support Brkt.
33	683-0128	1	S	Pivot Bar Ass'y.
35	634-0091	1		Front Wheel Ass'y. Comp. 15" x 6"
	734-0864	1	/P	Tire Only
	634-0090-0662	1		Rim Only
37	734-0255	1	S	Air Valve
38	741-0569	1	S	Bearing
	737-0280	1	S	Grease Fitting (Not shown)
42	710-0643	1	/P	Hex L-Bolt 5/16-18 x 1" Lg. (Gr. 5)
43	741-0501	1	S	Steering Column Brg.
44	710-0837	1		Cr-Sunk Scr. #10 x 5/8" Lg.
45	731-1686	1	S	Steering Wheel
46	731-1509A	1	/P	Steering Wheel Cap
47	731-0484A	1	S	Hub Cap
48	731-0954	1	S	Bellow Steering Column
49	736-0242	1	/P	Bell-Wash. .345" I.D. x .88"
50	712-0431	1	S/F	Hex Nut 3/8-16 Thd.
51	738-0527	1	S	Shld. Bolt 1/2" Dia. x 2.04"
52	736-0356	1	S	Bell-Wash. .39" x 1.38" O.D.
55	783-0255	1	S	Pivot Bar Side Plate - L.H.
56	783-0256	1		Pivot Bar Side Plate - R.H.

13A5472F190 L-13 (1997)
Steering, Wheel Ass'y And Labels

Page 18 of 18

Ref #	Part Number	Qty	S/P/F	Description
58	710-0604	1	S	Hex Wash. Tap Scr. 5/16-18 x .62" Lg.
59	736-0217	1	S	L-Wash. 3/8" I.D. (H.D.)
61	741-0225	1	S	Hex Flange Brg. .634" Dia.
62	731-1291A	1	S	Axle Cap
	777-9733A	1		Dash Labels
	777-9732	1		Speed Control Label
	777-9731	1		FNR Label
	777-9586A	1	S	Inst. Panel Ass'y. Label
	777-5739B	1		If Unit Stalls Label
	777-3361	1		Deck Lift Lever
	777-0779	1		Brake/Clutch Label
	777-0749	1		Warning/Inst. Label
	777-1429	1		Danger Top of Chute Label
	777-1584	1	S	Danger Cut Finger Label
	777-4953	1		Safety Seat Label
	777-9192B	1	S	Deck Safety Label
	777-9341	1	S	Assemble Chute Before Using Label
	777-4736	1		WOP L-13 Label
	777-4745	1		WOP Hood Side Label
	777-4859	1		WOP Rider Rear Fender Label
	777-4941	1		WOP 13 OHV Engine